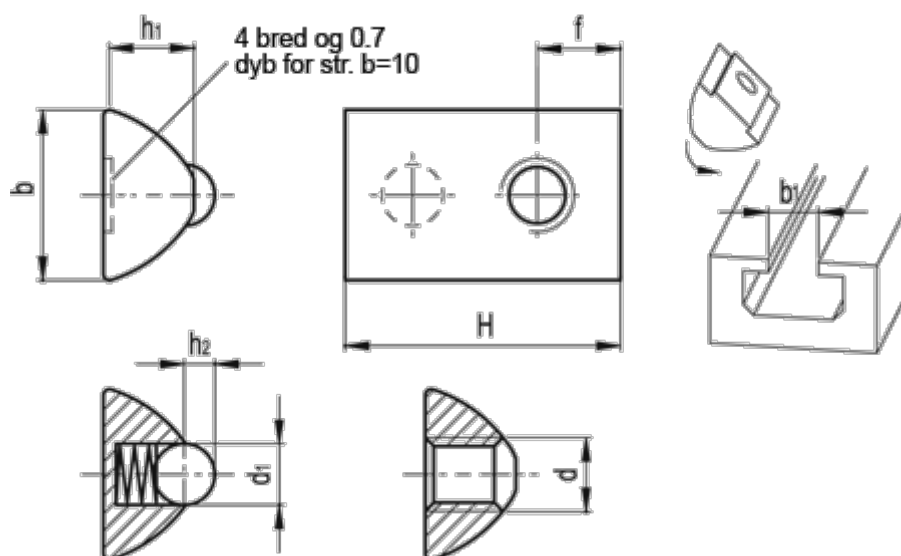


Article number: 20080386A

Description: E+G T-nut with guide step  
GN 506.1-10-M4

## Measures



b	= 10 +0.3
b1	= 6
d	= M4
d1	= 4
f	= 5.0
H +0.5	= 17.5
h1	= 6.25
h2	= 1.2

Weight (g) = 5